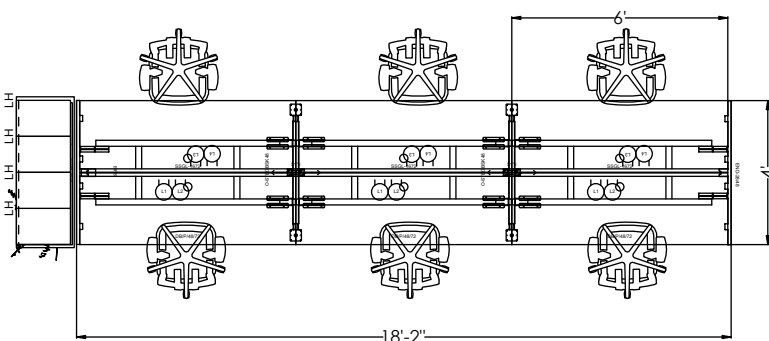


# OXYGEN® OXYTYP001

# AISS | IDEA STARTERS



#	Part Number	Description	Quantity	Ext. List
1	4900C	Natick Black Configurable Task Chair	6	\$5,658.00
2	4900LUMBAR	Natick - Lumbar Support- Black	1	\$44.00
3	X-CPSW504818	Calibrate Single Wrap Dry Planter 50Hx48Wx18D	1	\$2,642.00
4	X-LDD421218L	CBX Double Door Locker Left 42h x 12w x 18d	4	\$9,396.00
5	E-MW8W4DO1	Duplex Outlet - Line 1 - Black	3	\$243.00
6	E-MW8W4DO2	Duplex Outlet - Line 2 - Black	3	\$243.00
7	E-MW8W4DO3	Duplex Outlet - Line 3 - Black	3	\$243.00
8	E-MW8W4DO4	Duplex Outlet - Line 4 Dedicated - Black	3	\$243.00
9	E-MW8W4PJ30E	51 in. Electrical Jumper (Pt 30E)	2	\$688.00
100	2LBDB2848	Oxygen Laminate Double Sided End Panel 28Hx48W	2	\$2,602.00
110	8W4BIFS	Base Infeed - with Pole - 8 Wire 4 Circuit - Side Mounted	1	\$1,020.00
120	DBPG4872	Double Bench Powered w/Grommet 48D X 72W	2	\$8,092.00
130	DBPG4872	Double Bench Powered w/Grommet 48D X 72W	1	\$4,046.00
140	STBDBSK48	Double Sided Shared Straight Leg Kit - 48D	2	\$3,130.00
150	3-1672	Unv. Spine Insert Screen - Glass .250 16H x 72W	3	\$3,708.00
			<b>Total List</b>	<b>\$41,998.00</b>

Pricing shown is for budgetary purposes only and subject to change. Pricelist Dates: 4/1/24. Contact your local Rep for a quote.  
Availability of finishes and materials shown may vary due to manufacturers' lifecycle management.  
More Idea Starters available at <https://www.ais-inc.com/resources/idea-starters>