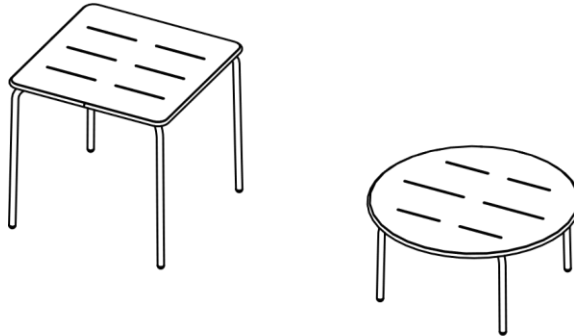
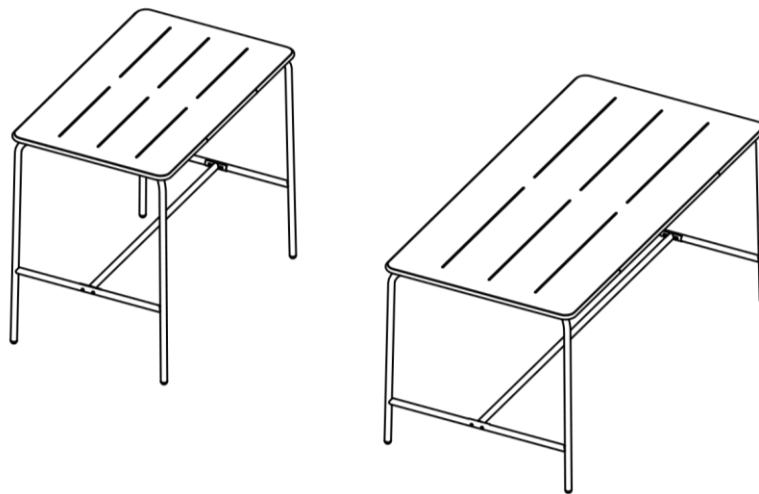


# Cascades Collection Installation Instructions

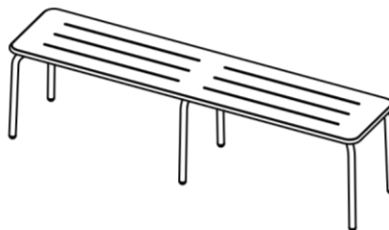
Date	Page No.	Description of change	Name
04/01/2025	1-2	Released	S. Powers



Seated Height and Occasional Tables .....Pg. 2-3



Counter and Bar Height Tables .....Pg 4-6



Benches .....Pg 7-8

# Cascades Collection Installation Instructions

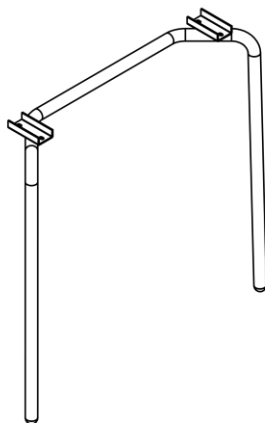
## Seated Height and Occasional Tables

### Parts List for Seated Height and Occasional Tables

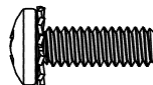
Tabletop x 1



Leg x 2

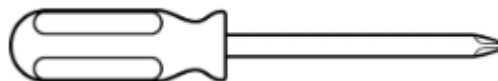


Pan Head Screw with External Tooth Lock Washer  $\frac{1}{4}$ -20 x  $\frac{3}{4}$ " long x 8



### Recommended Tools

Screwdriver, #2 Phillips

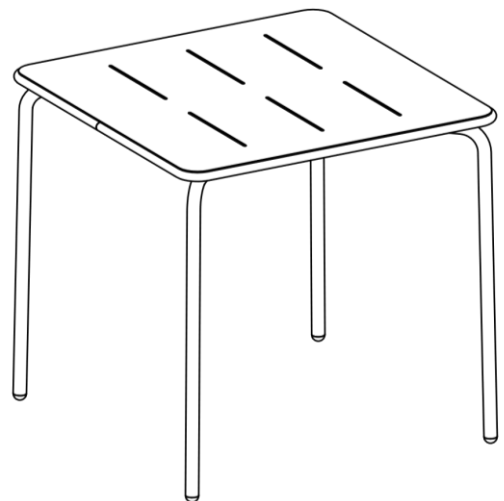
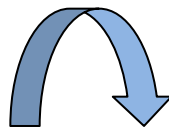
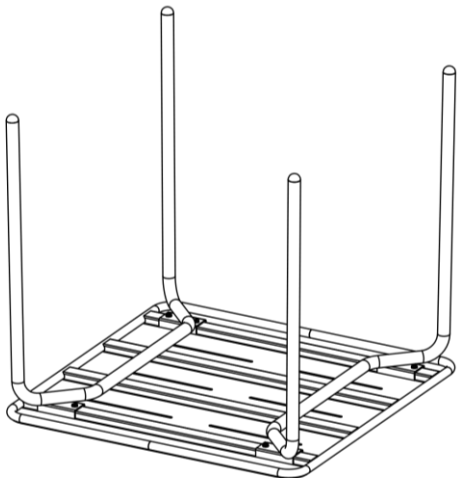
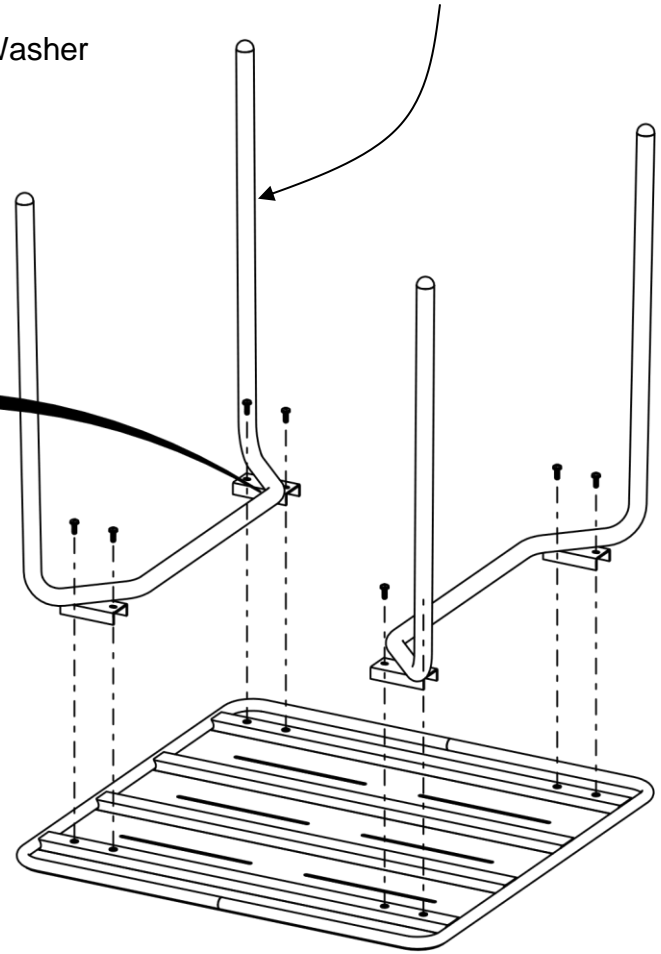
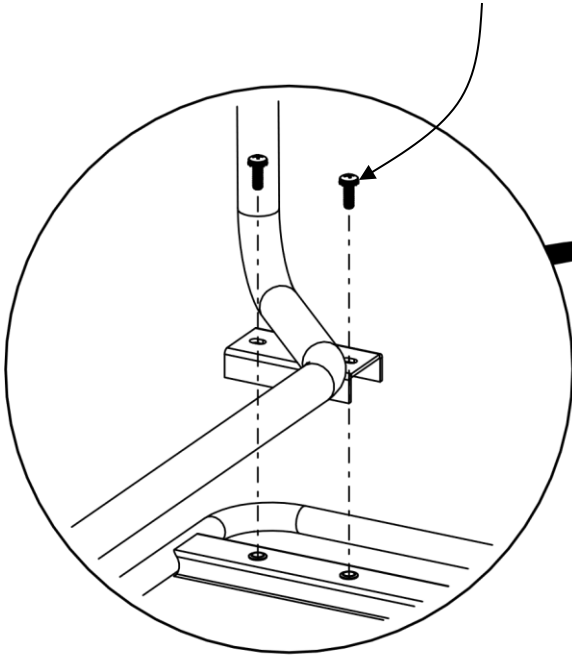


# Cascades Collection Installation Instructions

## Seated Height and Occasional Tables

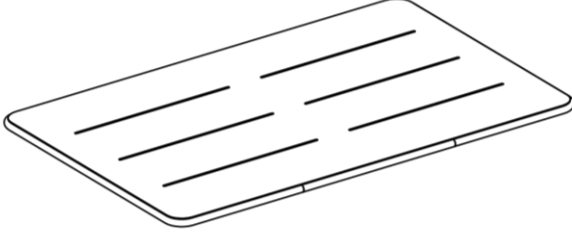
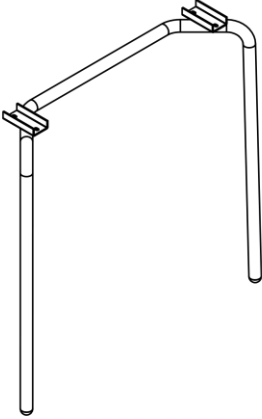
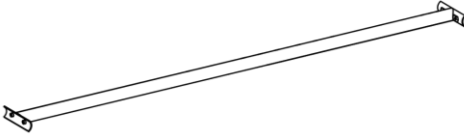
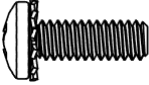

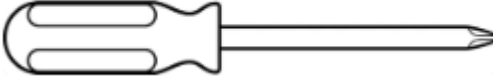
1/4-20 x 3/4" long  
Pan Head Screw with  
External Tooth Lock Washer  
Phillips Drive #2  
8 places

Align holes in the legs to  
the holes in the tabletop



# Cascades Collection Installation Instructions

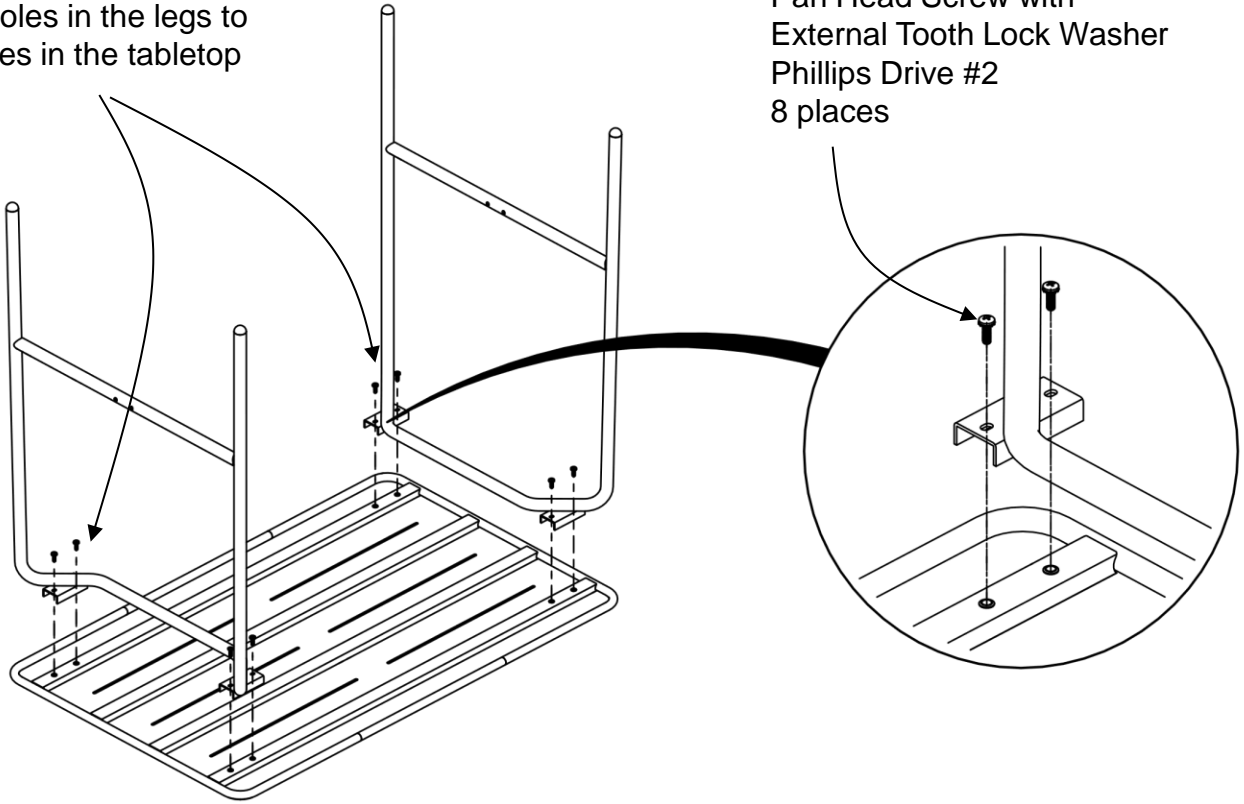
## Counter and Bar Height Tables

Parts List for Counter and Bar Height Tables	
Tabletop x 1 	
Leg x 2 	Cross Member x 1 
Pan Head Screw with External Tooth Lock Washer $\frac{1}{4}$ -20 x $\frac{3}{4}$ " long x 8 	Oval Head Screw x 4 $\frac{1}{4}$ -20 x 1" long 
Recommended Tools	
Screwdriver, #2 Phillips 	

# Cascades Collection Installation Instructions

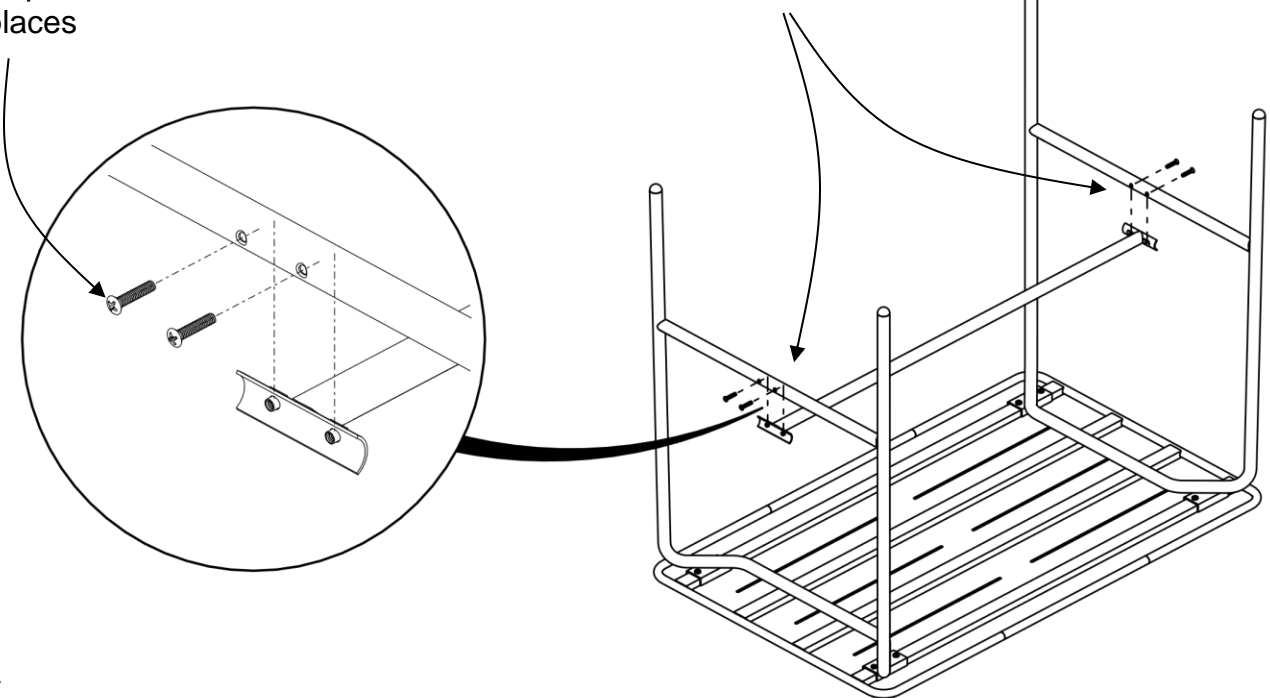
## Counter and Bar Height Tables

Align holes in the legs to the holes in the tabletop



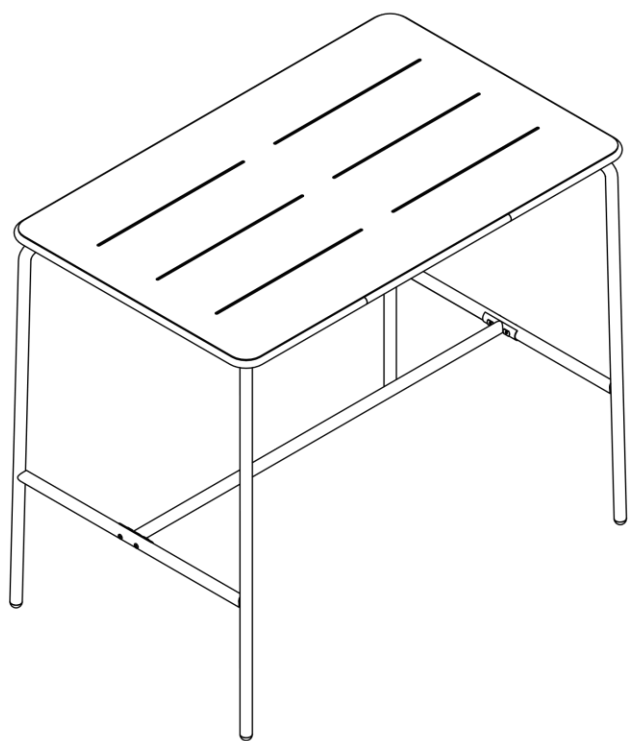
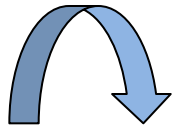
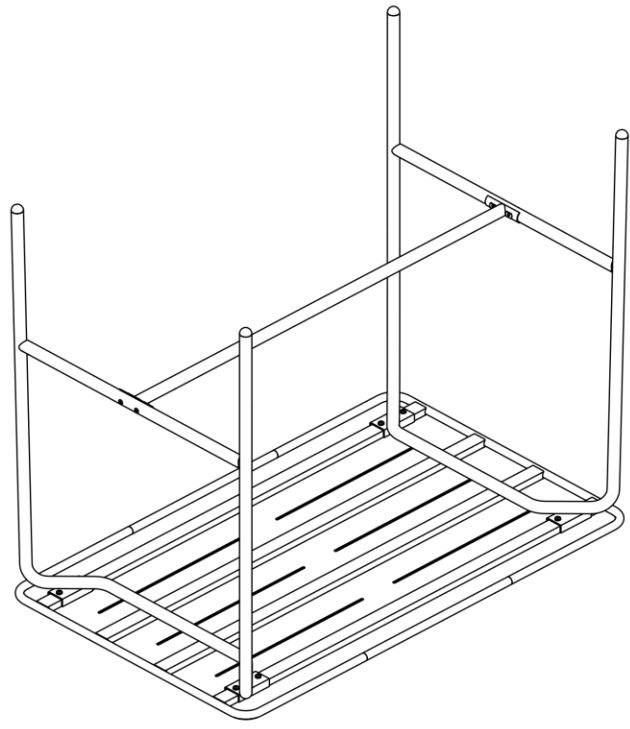
$\frac{1}{4}$ -20 x 1" long  
Oval Head Screw  
Phillips Drive #2  
4 places

Align cross member nuts  
To hole in both legs



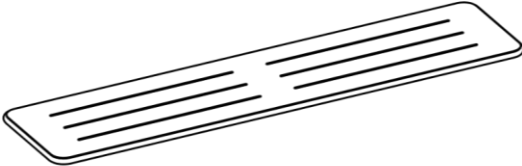


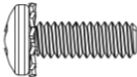
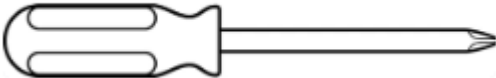
# Cascades Collection Installation Instructions

## Counter and Bar Height Tables



# Cascades Collection Installation Instructions

## Benches

Parts List for Benches		
Bench Top		
		
End Leg x 2	Center Leg x 1 (for 72W Bench only)	Pan Head Screw with External Tooth Lock Washer 1/4"-20 x 3/4" long x 8
		
Recommended Tools		
Screwdriver, #2 Phillips		
		

# Cascades Collection Installation Instructions

## Benches

