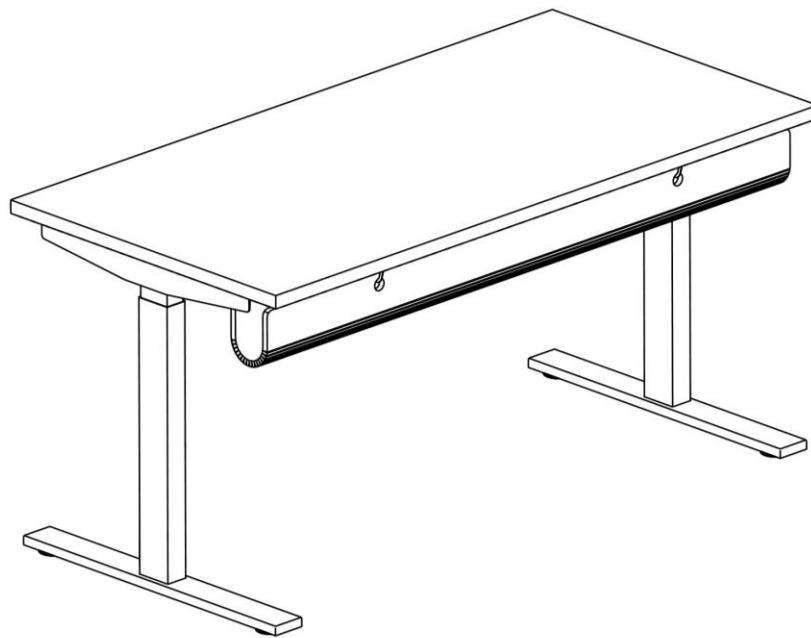

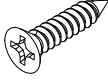


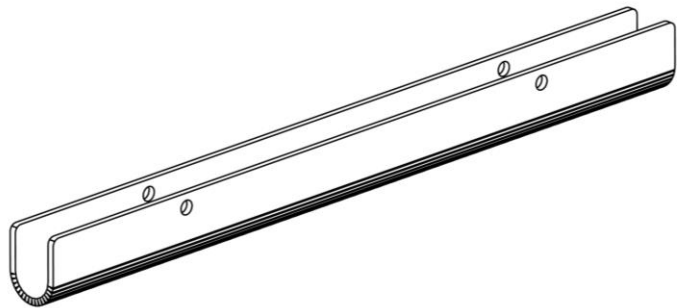
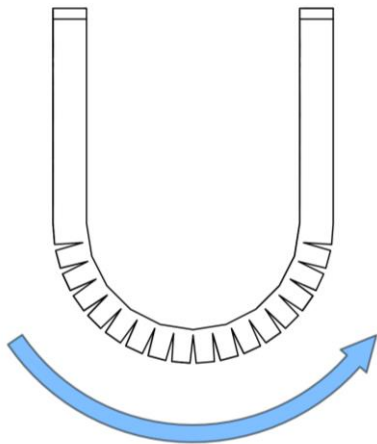
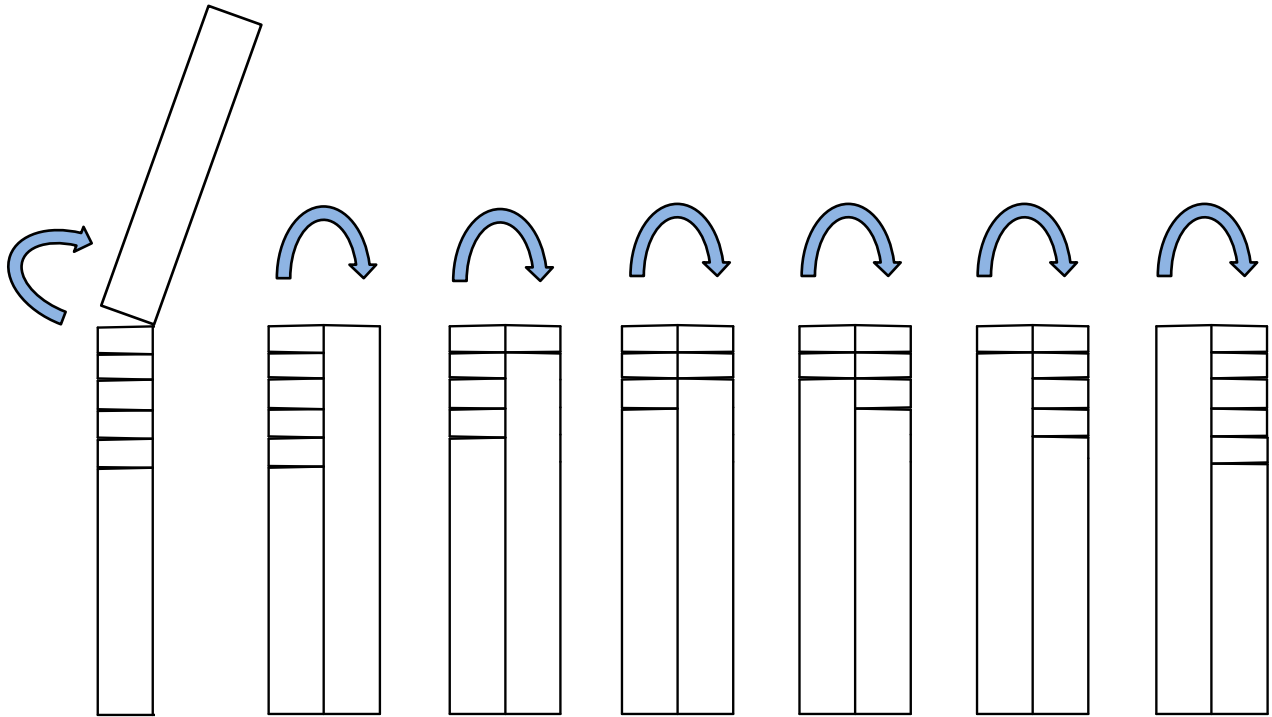
Date	Page No.	Description of change	Name
1/27/2022	1-18	Released	S. Powers
1/30/2022	8	Added dim 16 1/2"	S. Powers

Table of Contents	
PET Wire Manager	Page Number
Suspended	2 - 5
Rear Flush Mount	6 - 11
Rear Screen	

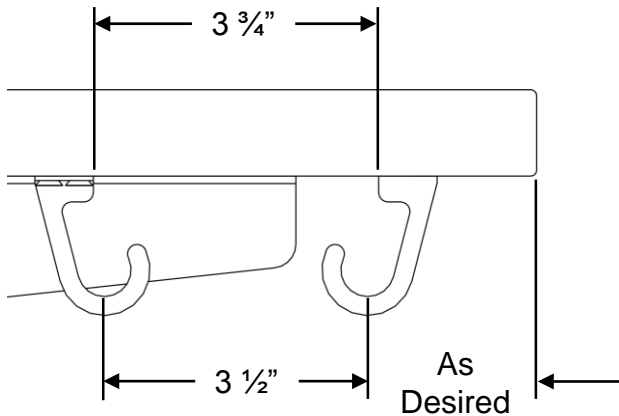
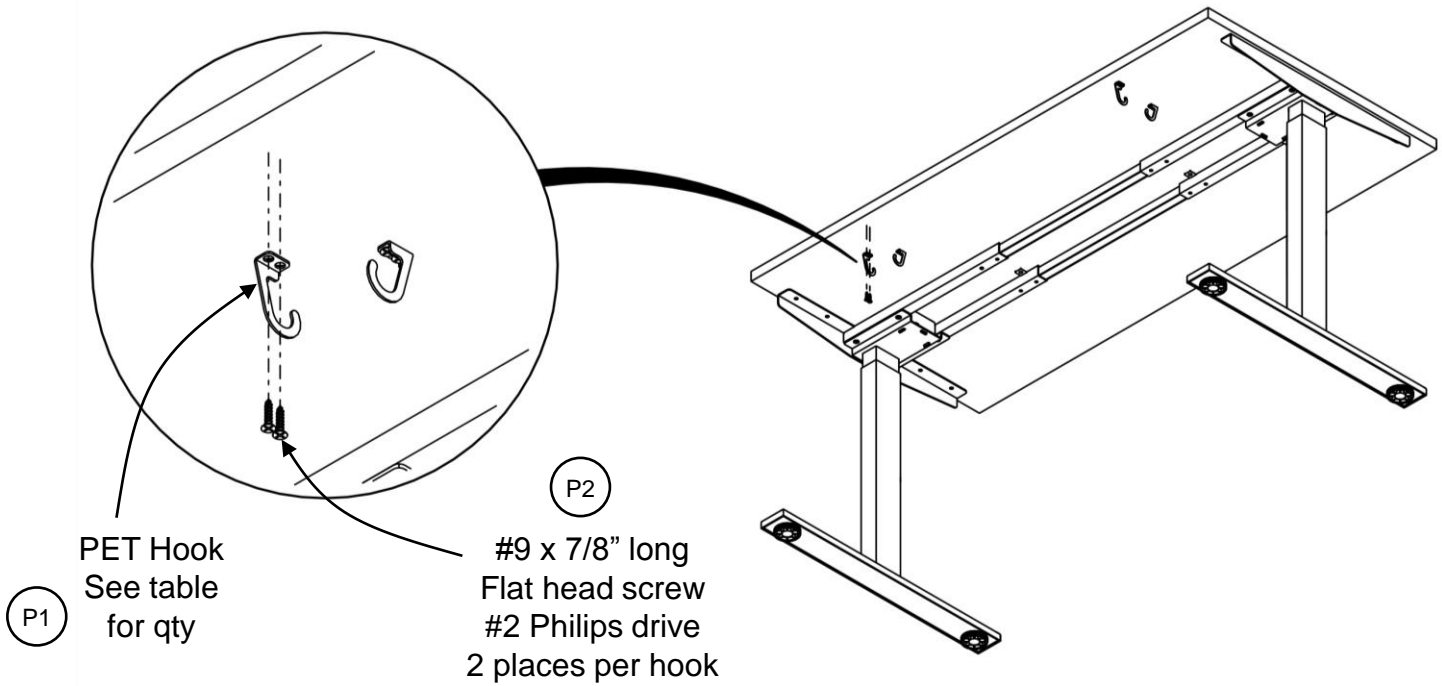


Item	Replacement Part number	Circle Sheet Part Number	Description	Image
P1	A-PETHOOK	RA-PETHOOK	PET Hook	
P2	RH-QS0978	RH-QS0978	#9 X 7/8" Flat Head Screw	

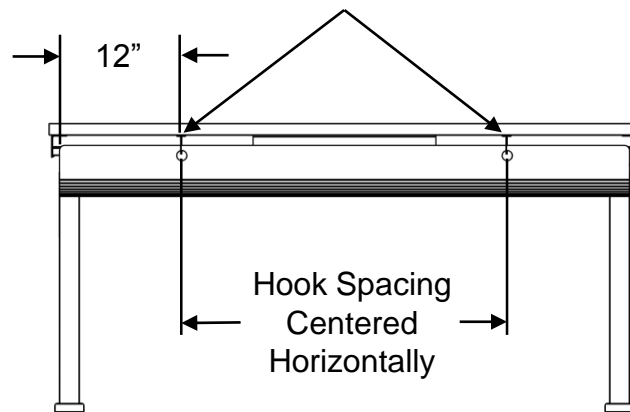
Step 1: Prepare the PET Wire Manager for installation by opening each groove to relieve material tension and create flexibility for an aesthetic installation.



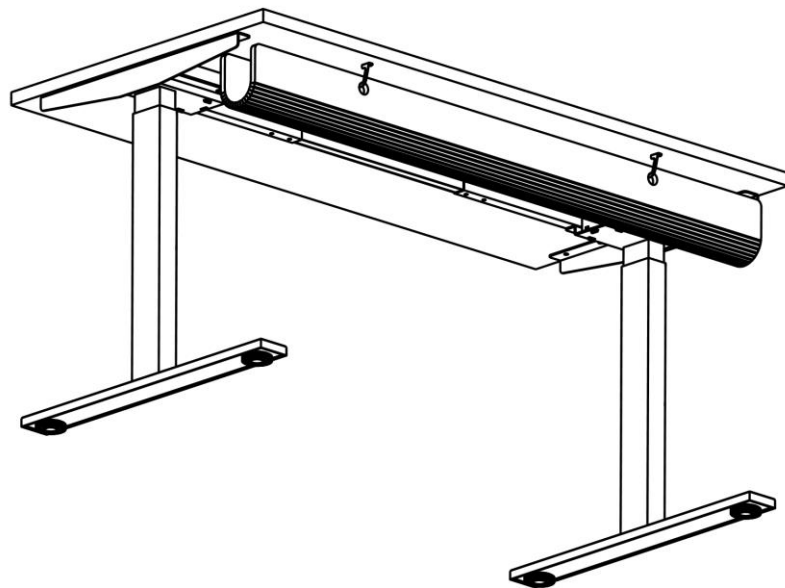
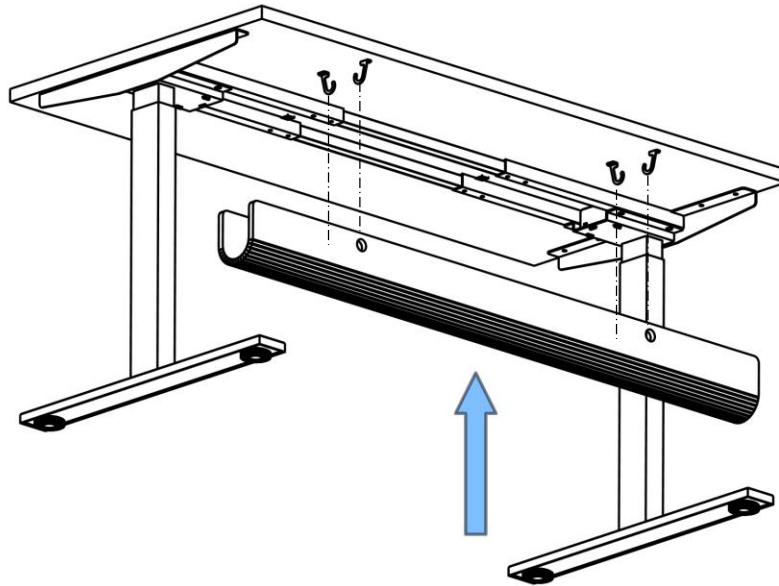
Step 2: Install hooks to worksurface as shown using #9 x 7/8" worksurface screws.



Use the holes in the PET Wire Manager to locate and mark the hook locations


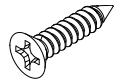




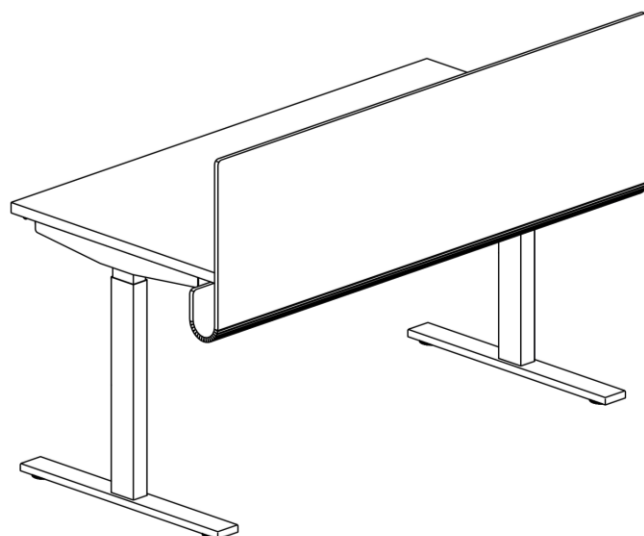
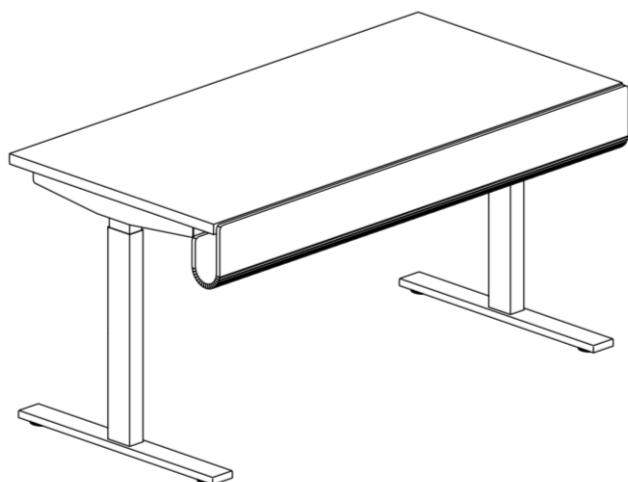
Step 3: Position the PET Wire Manager onto the PET Hooks.



Pet Wire Managers Installation Instructions

Flush or Rear Screen

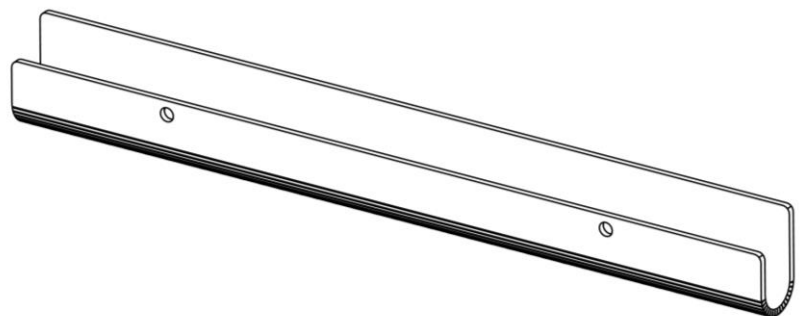
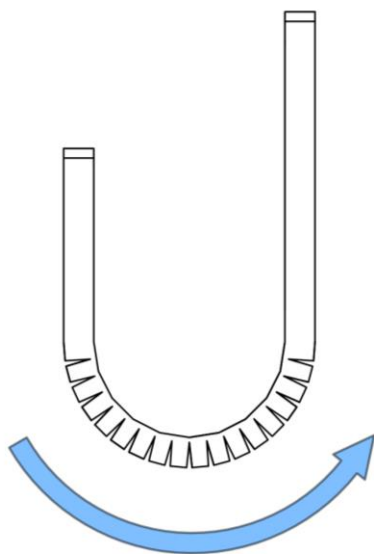
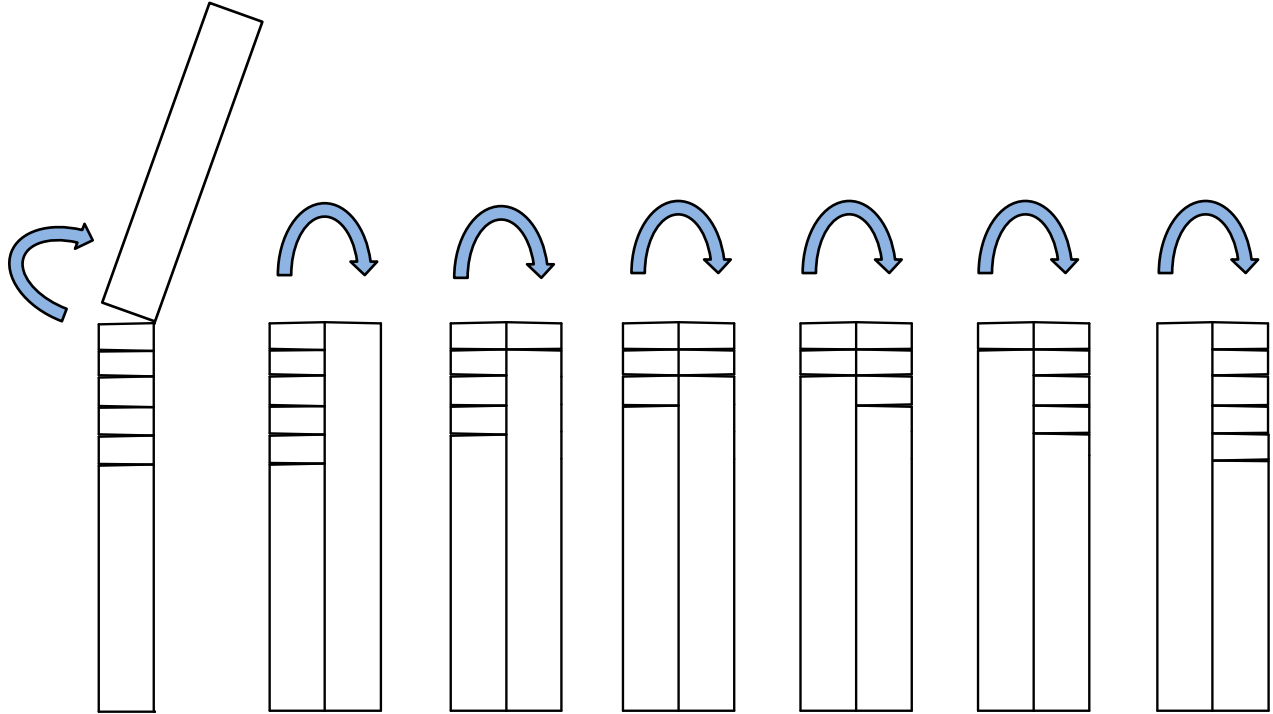
Item	Replacement Part number	Circle Sheet Part Number	Description	Image
P1	A-PETHOOK	RA-PETHOOK	PET Hook	
P2	RH-QS0978	RH-QS0978	#9 X 7/8" Flat Head Screw	
P3	A-SLBPET	RA-SLBPET	L-Bracket	
P4	RH-90048A194	RH-90048A194	#8 X 1/2" Flat Head Screw	



Pet Wire Managers Installation Instructions

Flush or Rear Screen

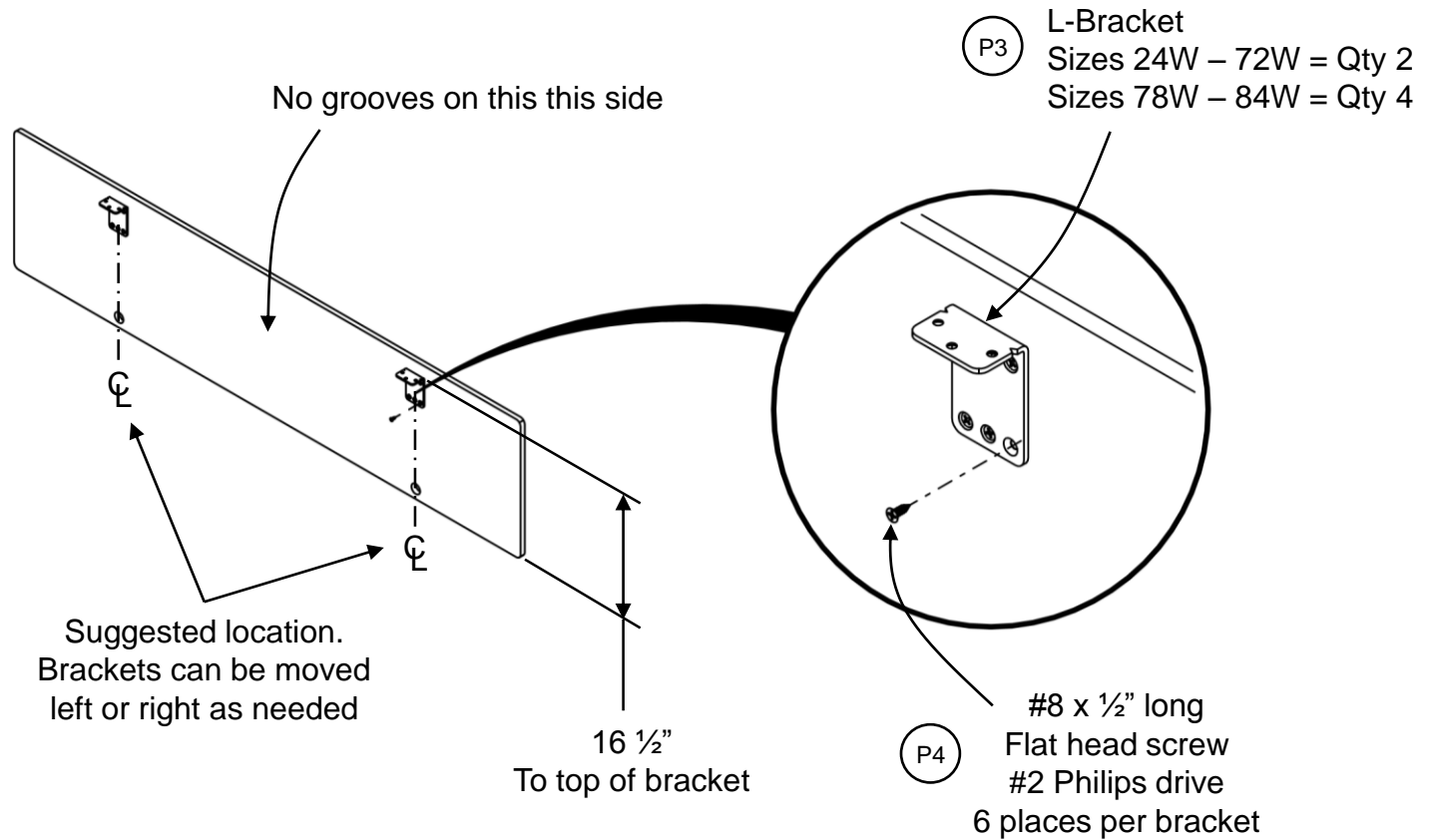
Step 1: Prepare the PET Wire Manager for installation by opening each groove to relieve material tension and create flexibility for an aesthetic installation.



Pet Wire Managers Installation Instructions

Flush or Rear Screen

Step 2: Install L-Brackets to the PET screen using #8 x 1/2" long screws.

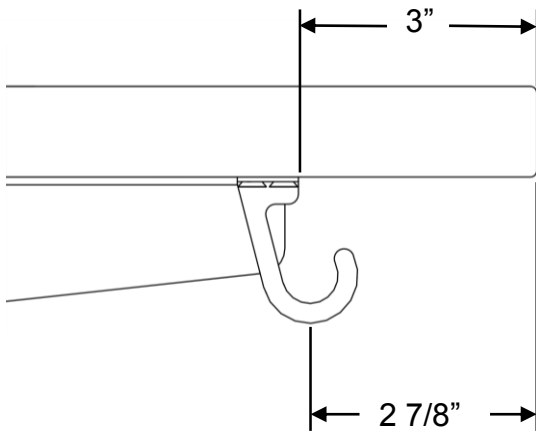
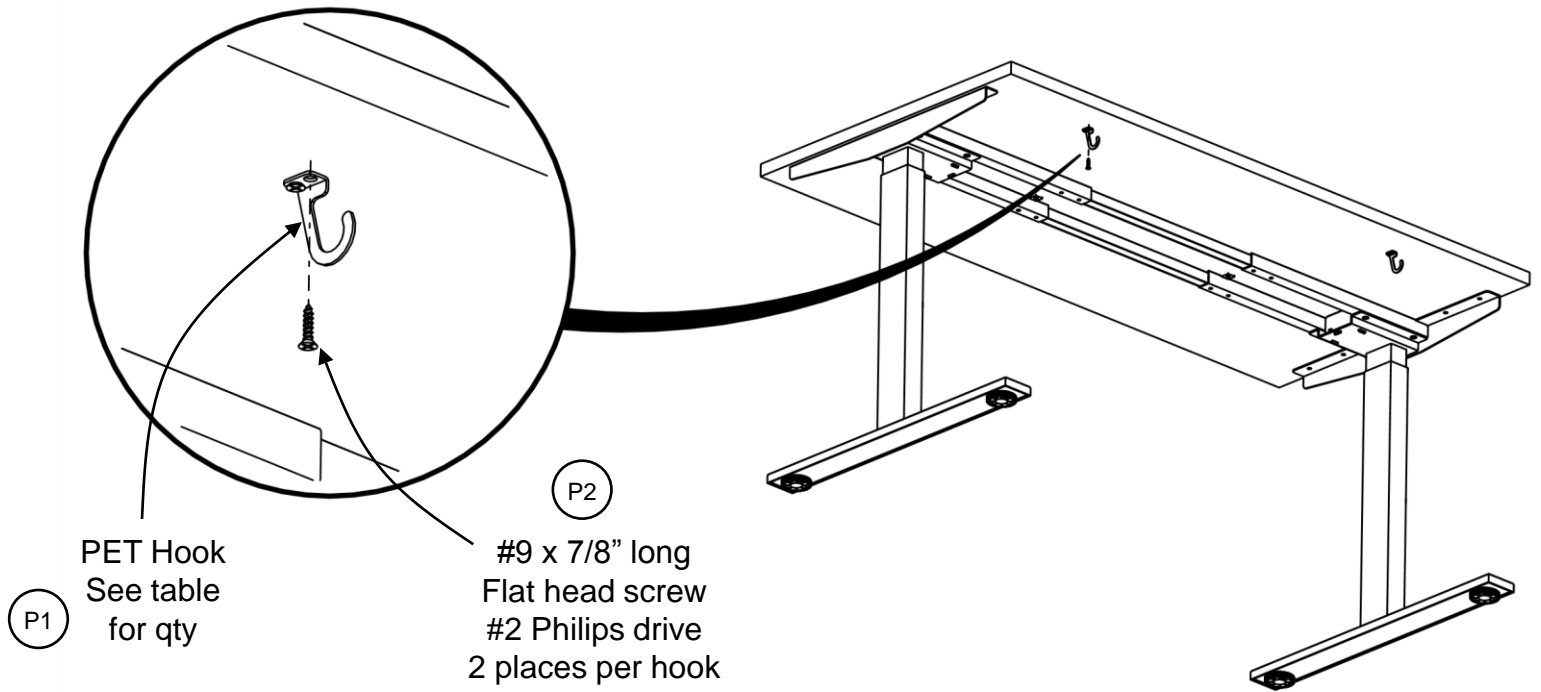


Do not use worksurface screws they are too long and will break through material

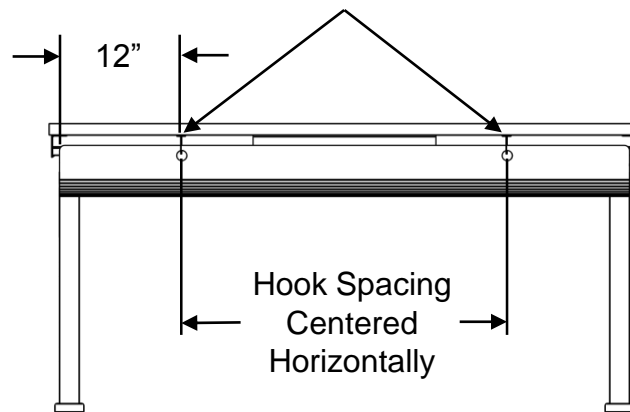
Pet Wire Managers Installation Instructions

Flush or Rear Screen

Step 3: Install hooks to worksurface as shown using #9 x 7/8" worksurface screws.



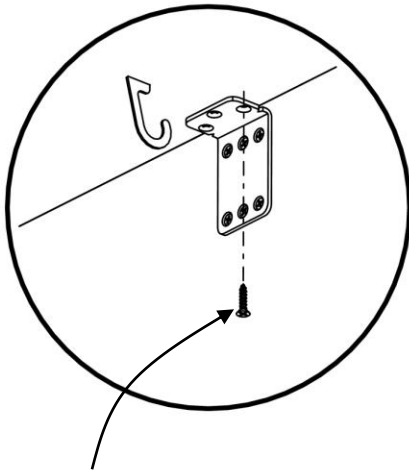
Use the holes in the PET Wire Manager to locate and mark the hook locations



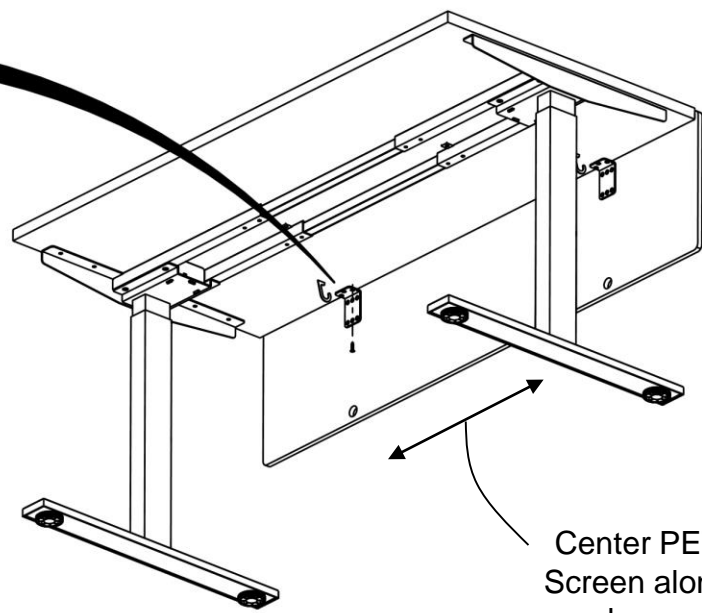
Pet Wire Managers Installation Instructions

Flush or Rear Screen

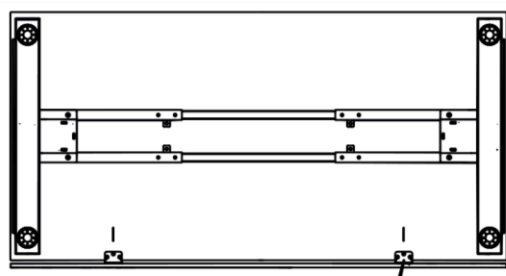
Step 4: Secure L-Brackets to the worksurface using #9 x 7/8" worksurface screws.



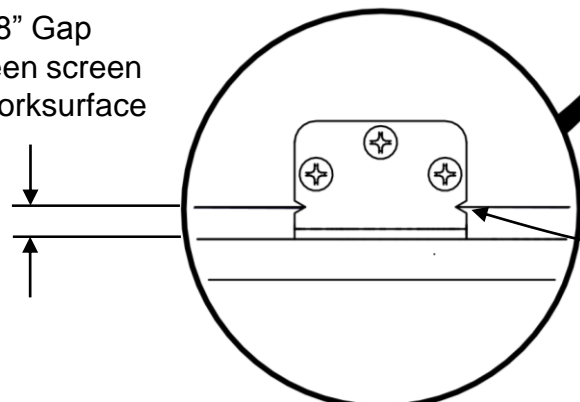
P2 #9 x 7/8" long
Flat head screw
#2 Philips drive
3 places per bracket



Center PET
Screen along
worksurface



3/8" Gap
between screen
and worksurface



Align notch in
bracket to the edge
of the worksurface

Pet Wire Managers Installation Instructions

Flush or Rear Screen

Step 5: Hang the PET screen onto the hooks.

